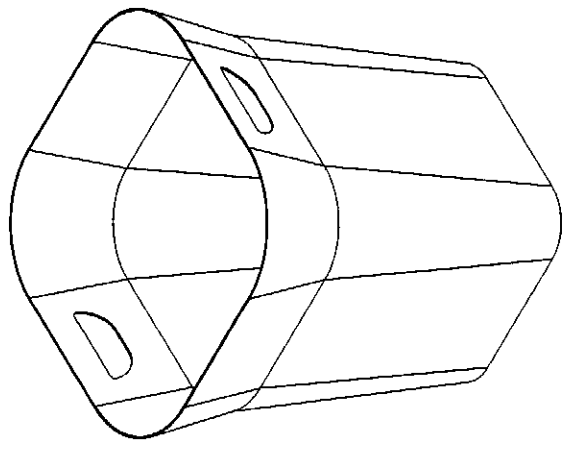
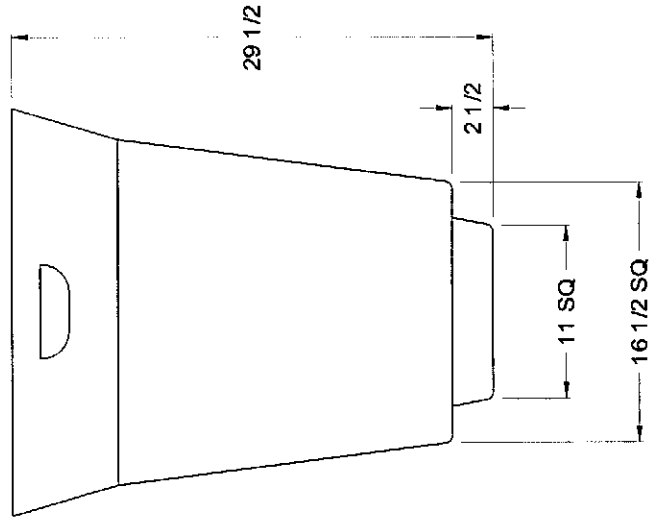
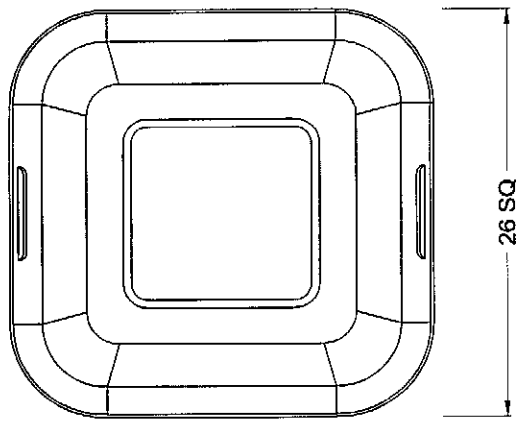


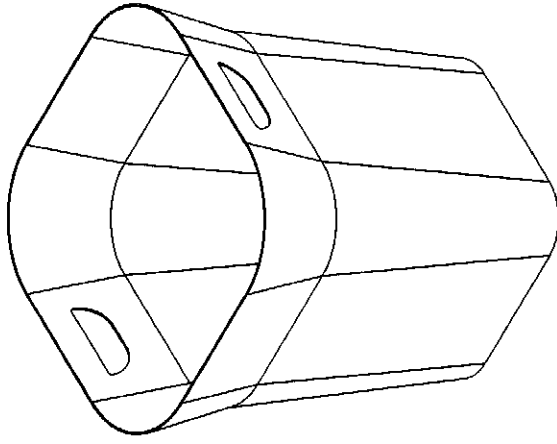
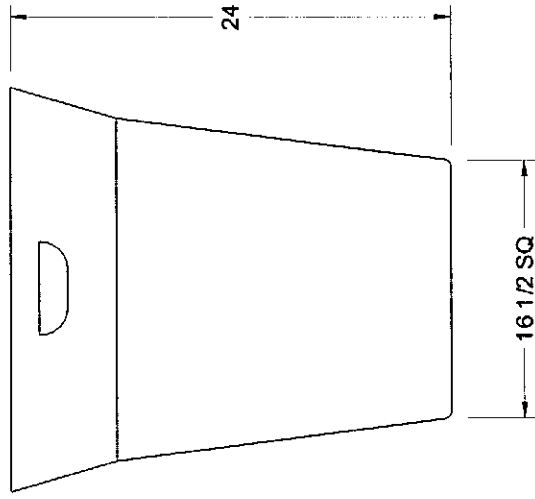
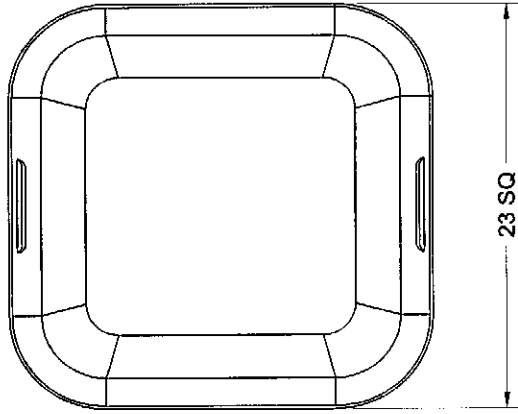
REVISIONS		
REV.	DESCRIPTION	DATE



Part # 02-1R04362

ROTONICS MFG. INC. www.rotomics.com		RMI-G 17038 S. FIGUEROA ST. GARDENA, CA. 90248 Phone: (310) 327-5401 Fax: (310) 323-9567	
REMOVABLE PLASTIC LINER FOR 58 gal PLR		DATE: 2/1/08 SCALE: 1 = 1/2 DWG. NO. S-1594-2 REV.	
DRAWN BY: DPH/MI	DATE:	SCALE:	DWG. NO.

REVISIONS		
REV.	DESCRIPTION	DATE



Part # 02-1R04361

RMI-G
 ROTONICS MFG. INC.
 www.rtonics.com
 17038 S. FIGUEROA ST.
 GARDENA, CA 90248
 Phone: (310) 327-5401
 Fax: (310) 323-9587

REMOVABLE PLASTIC LINER
FOR 40 gal PLR

DRAWN BY: DPHAM	DATE: 2/11/08	SCALE: NONE	DWG No: S-1593-2	REV.
--------------------	------------------	----------------	---------------------	------