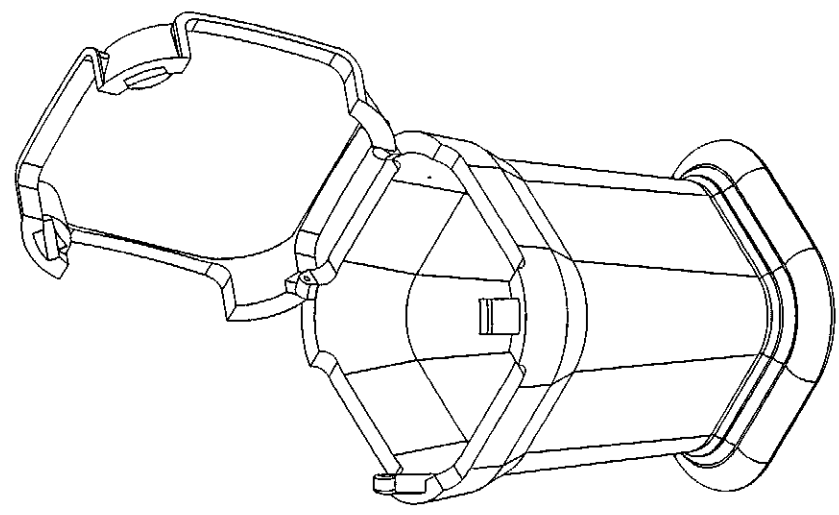
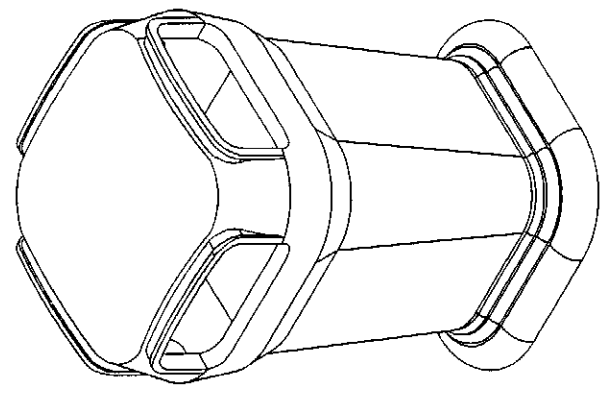
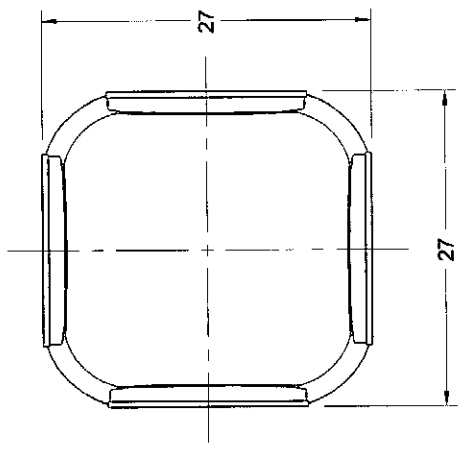
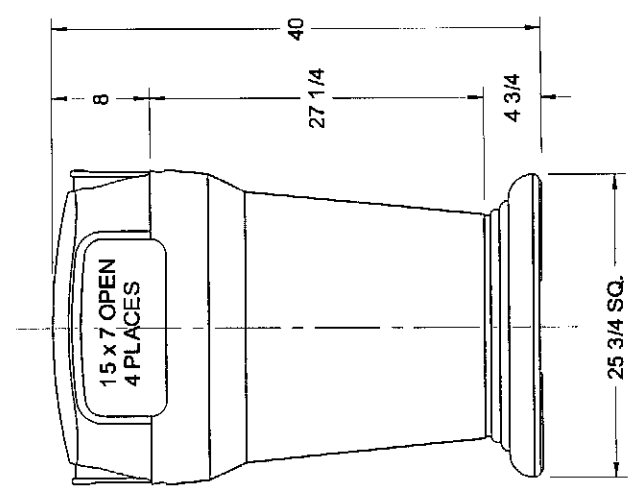


REVISIONS		DATE	APPROVED
REV.	DESCRIPTION		



OPEN 115°



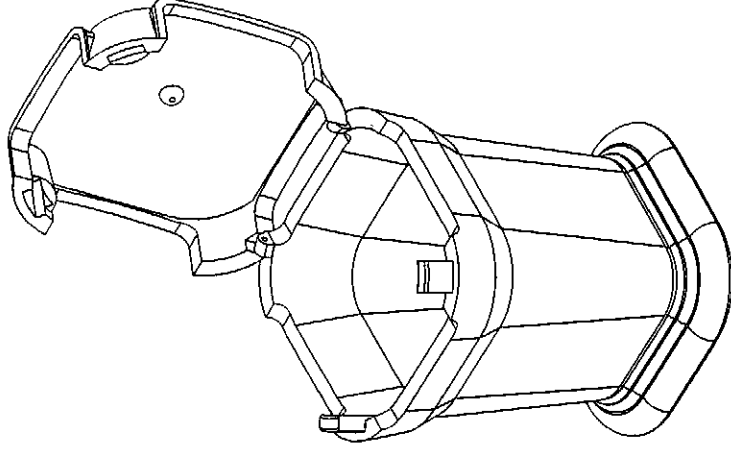
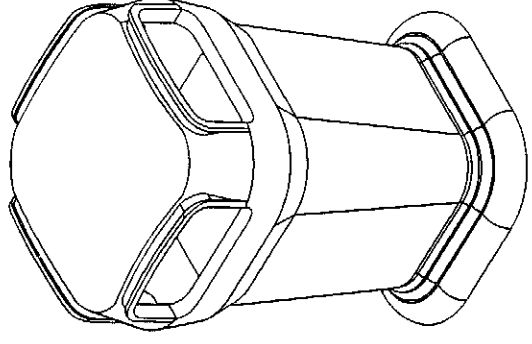
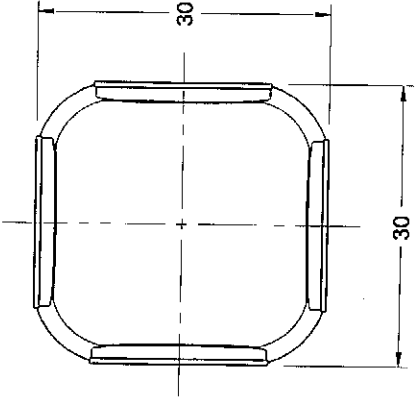
**ROTONICS MFG. INC.**  
 www.rotomics.com

RMI-G  
 17036 S. FIGUEROA ST.  
 GARDENA, CA. 90248  
 Phone: (310) 327-5401  
 Fax: (310) 323-9567

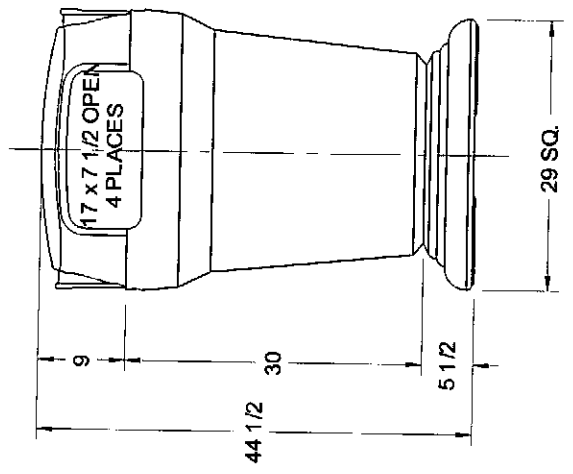
**Part # 02-1R04000**  
**40 GAL. - PLR**

DRAWN BY: DPHAM	DATE: 1/22/09	SCALE: 1 = 16	DWG NO. S-1593	REV.
--------------------	------------------	------------------	-------------------	------

REVISIONS		
REV.	DESCRIPTION	DATE



OPEN 115°



**ROTONICS MFG. INC.**  
 www.rototics.com

RMI-G  
 17038 S. FIGUEROA ST.  
 GARDENA, CA 90248  
 Phone: (310) 327-5401  
 Fax: (310) 323-9567

**Part # 02-1R05800**  
**58 GAL. - PLR**

DRAWN BY: DPHAM	DATE: 1/22/06	SCALE: 1 = 20	DWG No. S-1594	REV.
--------------------	------------------	------------------	-------------------	------