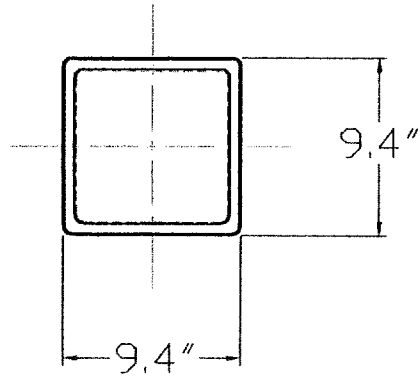
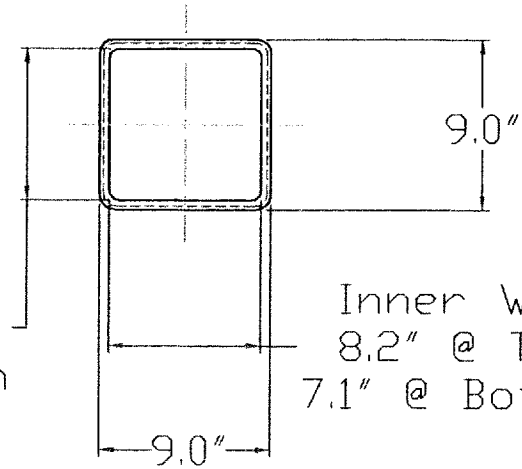


Top

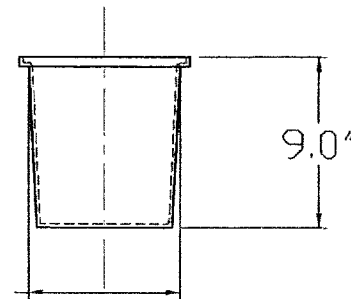
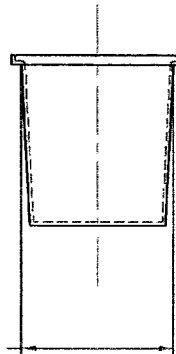
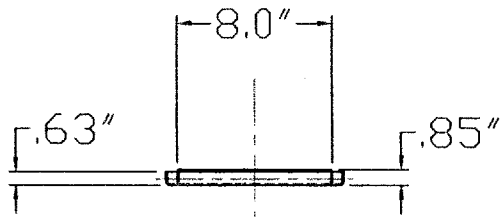


Bottom



Inner Wall
8.2" @ Top
7.1" @ Bottom

Inner Wall
8.2" @ Top
7.1" @ Bottom



8.6" @ Top
7.5" @ Bottom

RMI-C
736 Birginal Drive
Bensenville, Illinois 60106
Phone: 630-773-9510

This drawing may not be used for any purpose other than by the owner. The drawing and design are property of Rotonics Manufacturing, Inc. All dimensions shown are outside part dimensions in inches, and may vary due to material shrinkage. Specifications are subject to change without notice. Gallons and weights are approximate only.

Rotonics Manufacturing Inc.
www.rotonics.com

CA-0808

DRAWN BY Chicago	DATE 4/30/02	SCALE	DWG. NO.	REV.
---------------------	-----------------	-------	----------	------