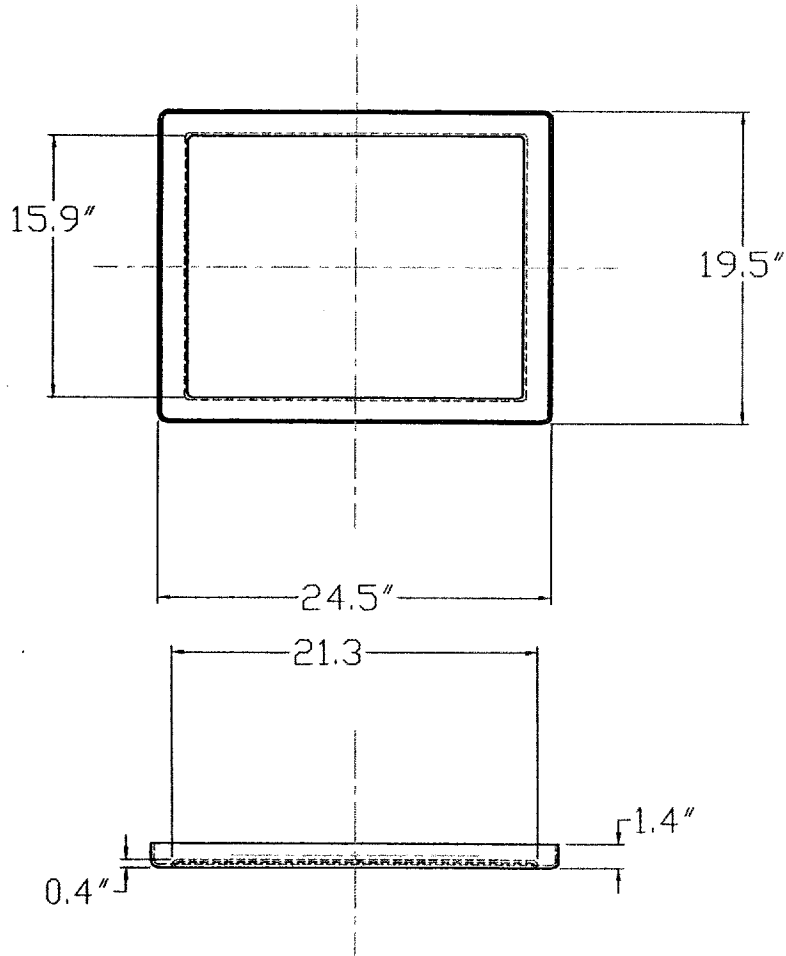
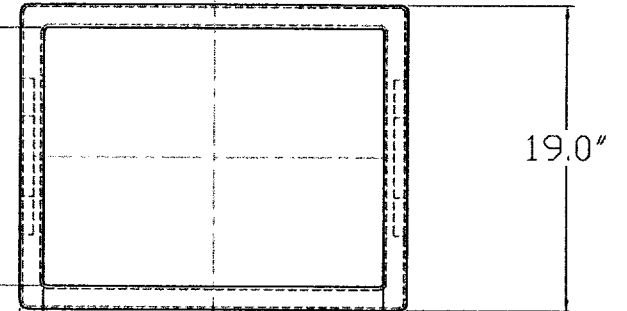


LID



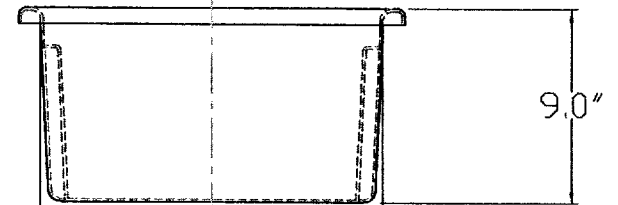
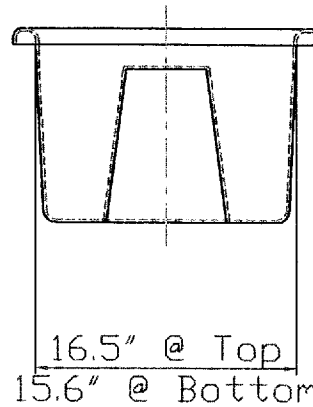
BOTTOM

Inner Wall
16.1" @ Top
15.2" @ Bottom



Inner Wall
21.1" @ Top
20.2" @ Bottom

24.0"



21.5" @ Top
20.6" @ Bottom

RMI-C
736 Birginal Drive
Bensenville, Illinois 60106
Phone: 630-773-9510

This drawing may not be used for any purpose other than by the owner. The drawing and design are property of Rotonics Manufacturing, Inc. All dimensions shown are outside part dimensions in inches, and may vary due to material shrinkage. Specifications are subject to change without notice. Gallons and weights are approximate only.

Rotonics Manufacturing Inc.
www.rotonics.com

CA-2419 Carry-All Tote, Nestable

| | | | | |
|---------------------|-----------------|---------------|----------|------|
| DRAWN BY Chicago | DATE 4/25/02 | SCALE None | DWG. NO. | REV. |
|---------------------|-----------------|---------------|----------|------|