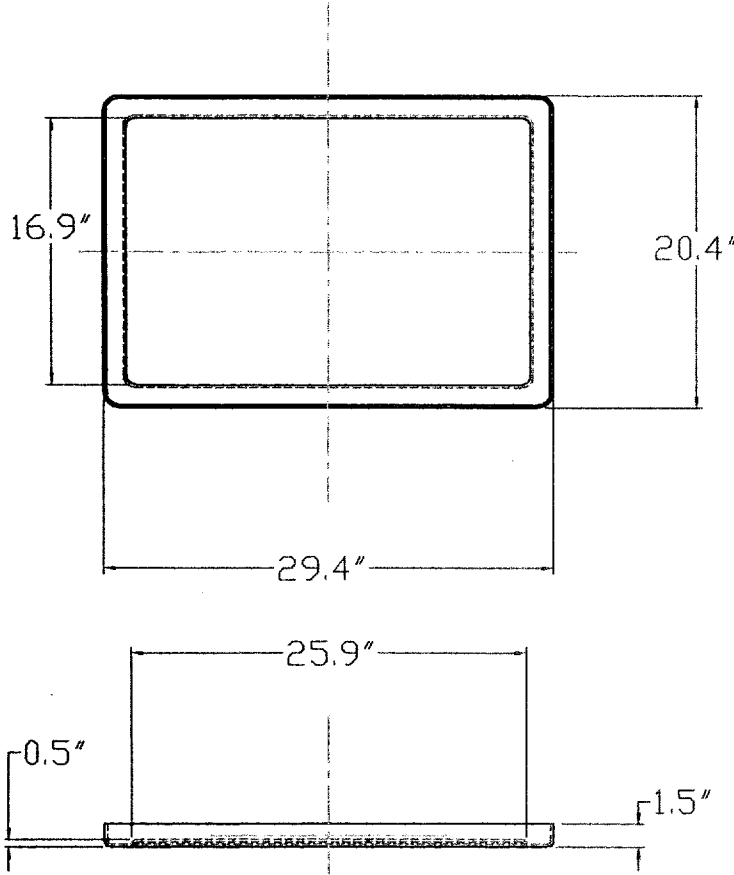
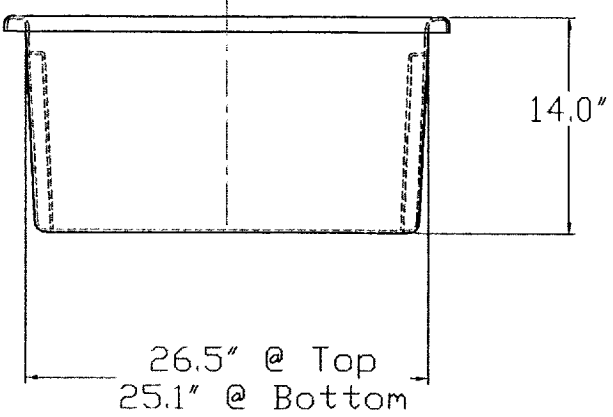
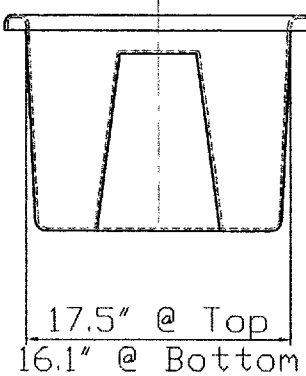
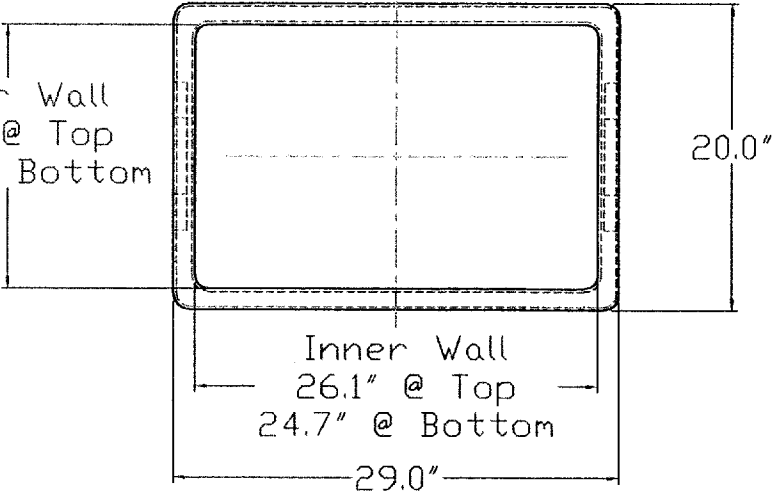


BOTTOM



Inner Wall
17.1" @ Top
15.7" @ Bottom



RMI-C
736 Birginal Drive
Bensenville, Illinois 60106
Phone: 630-773-9510

This drawing may not be used for any purpose other than by the owner. The drawing and design are property of Rotonics Manufacturing, Inc. All dimensions shown are outside part dimensions in inches, and may vary due to material shrinkage. Specifications are subject to change without notice. Gallons and weights are approximate only.

Rotonics Manufacturing Inc.
www.rotonics.com

CA-2920 Carry-All Tote, Nestable

| | | | | |
|---------------------|-----------------|---------------|----------|------|
| DRAWN BY Chicago | DATE 4/30/02 | SCALE None | DWG. NO. | REV. |
|---------------------|-----------------|---------------|----------|------|