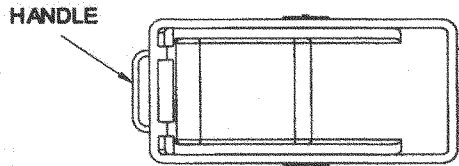
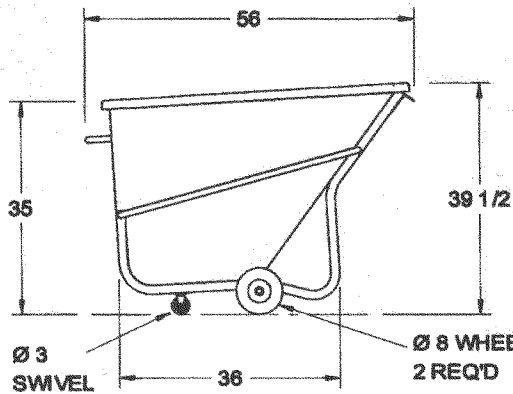


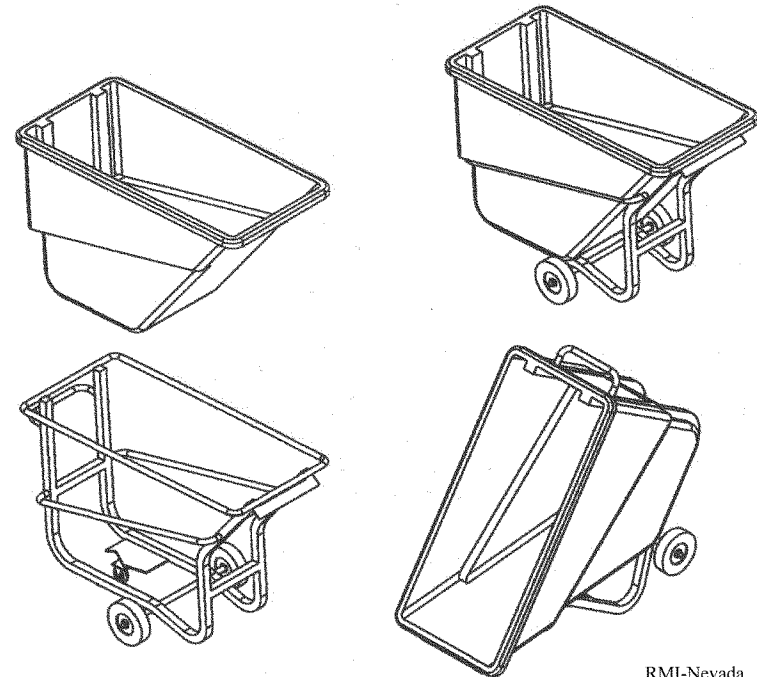
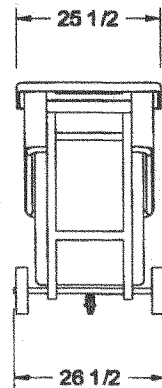
WITHOUT FRAME & WHEELS



HANDLE



WITH FRAME & WHEELS



RMI-Nevada
 4700 Mitchell Street
 North Las Vegas, Nevada 89081
 Phone: 702-643-2644

This drawing may not be used for any purpose other than by the owner. The drawing and design are property of Rotonics Manufacturing, Inc. All dimensions shown are outside part dimensions in inches, and may vary due to material shrinkage. Specifications are subject to change without notice. Gallons and weights are approximate only.

Rotonics Manufacturing Inc.
www.rotonics.com

ROTO TILT TRUCK
.5 Cu. Yd.

DRAWN BY Gardena	DATE 8/24/05	SCALE	DWG. NO.	REV.
---------------------	-----------------	-------	----------	------